

CAR IN DOOR CAMERA

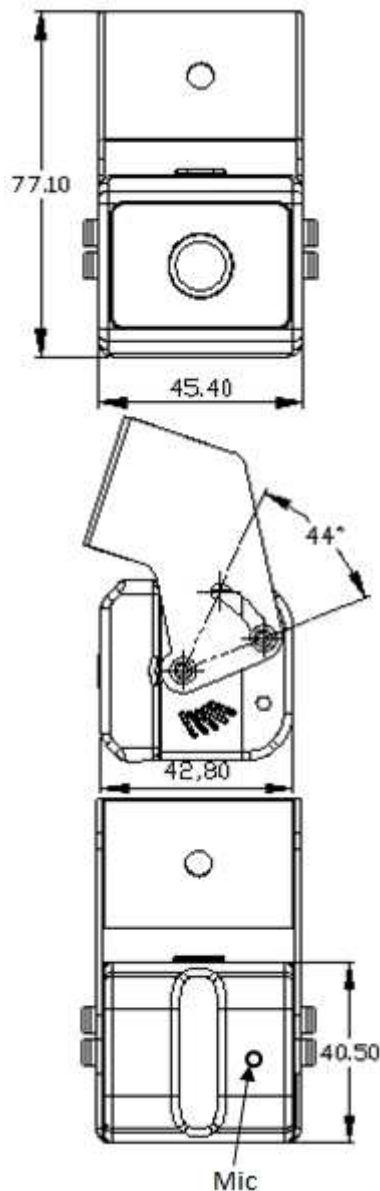
DTR-150FAHD



FEATURES

- 2MEGA SONY CMOS SENSOR
- Resolution: 1080p
- D-WDR (Wide Dynamic Range)
- Option : MIC

DIMENSION



SPECIFICATION

ITEM	DTR-150FAHD
Image Device	2Mega-Pixel Sony CMOS Sensor
Video Output	AHD 2.0 (1080P@30 / 25fps)
Total Pixels	1945(H) x 1109(V)
Effective Pixels	1945(H) x 1097(V)
TV System	NTSC
WDR/BLC	OFF / WDR / BLC
Synchronization	Internal
Sensitivity	0.1 lux
View Angle	126° (H) , 88° (V) , 140°(D)
Option	MIC
Power Source	DC 12V
Operating Temperature	-20°C~+60°C (Humidity : 10%~85% RH)

1/3" SONY Exmor CMOS CAMERA

BUS&TRUCK & TRAILER CAMERA

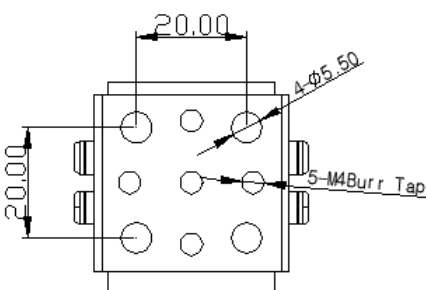
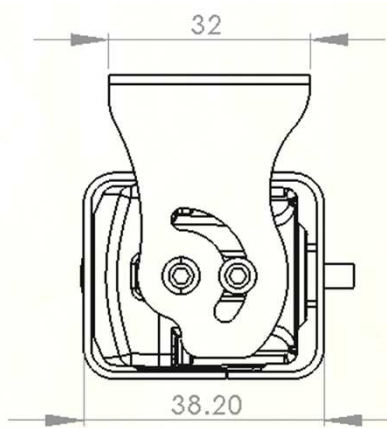
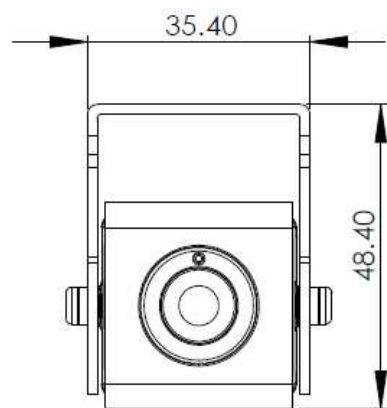
STR-1000



FEATURES

- 1/3" SONY Exmor CMOS Sensor
- 2.34mm (160°) LENS
- Resolution : 800TVL
- WaterProof (Certify IP 69K)

DIMENSION



SPECIFICATION

ITEM	STR-1000
Image Device	1/3" SONY Exmor CMOS Sensor
Video Output	CVBS 1Vp-p, 75Ω
Effective Pixels	1305(H) x 977(V)
TV System	NTSC / PAL
BLC	OFF / LOW / MIDDLE / HIGH
Synchronization	Internal
Sensitivity	0.1 lux
Lens	f=2.34mm ±5% [D : 160° / H : 122° / V : 90°]
Power Input	9V ~ 32V
Operating Temperature	-30°C~+90°C (Humidity : 10%~85% RH)
IP Class	IP 69K

1.3 Mega Pixel CAMERA

BUS&TRUCK & TRAILER CAMERA

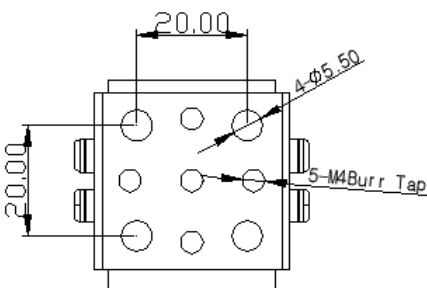
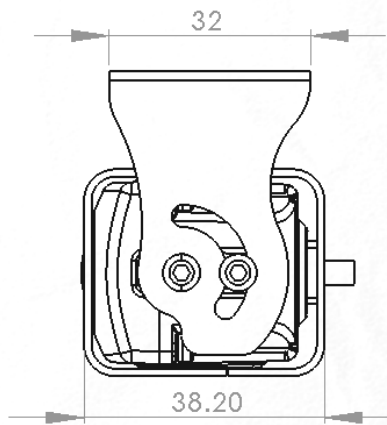
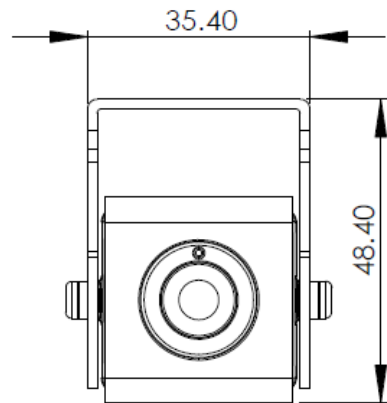
STR-1000AHD



FEATURES

- 1.3MEGA SONY CMOS SENSOR
- 2.34mm (160°)
- Resolution : 720p
- WaterProof (Certify IP 69K)

DIMENSION



SPECIFICATION

ITEM	STR-1000AHD
Image Device	1/3" 1.3Mega-Pixel SONY CMOS Sensor
Video Output	AHD 1.0 (720p@ 30 / 25fps)
Effective Pixels	1305(H) x 977(V)
TV System	NTSC / PAL
BLC	OFF / LOW / MIDDLE / HIGH
Synchronization	Internal
Sensitivity	0.1 lux
Lens	f=2.34mm ±5% [D : 160° / H : 122° / V : 90°]
HD FORMAT	16:9 (AHD 720p)
Power Source	DC 9V ~ 32V
Operating Temperature	-30°C~+90°C (Humidity : 10%~85% RH)
IP Class	IP 69K

Color Dome Camera STC-300AHD Series.

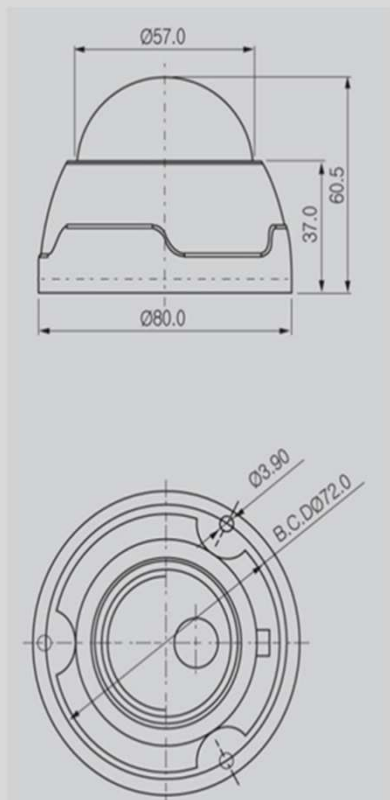
STC-301AHD



FEATURES

- 1.3MEGA PIXEL SONY CMOS sensor
- 2.45mm (145°) LENS
- Resolution 720P
- WDR(Wide Dynamic Range)
- Option : MIC

DIMENSION (Unit:mm)



SPECIFICATION

ITEM	STC-301AHD
Image Sensor	1.3 Mega-Pixel Sony CMOS Sensor
Video Output	AHD 1.0 (720P@30 / 25fps)
Effective Pixels	1305(H) x 977(V)
TV System	NTSC / PAL
Sensitivity	0.1 lux
HD FORMAT	16:9 (AHD 720P)
LENS	F= 2.45mm (145°)
Power Source	DC 12V
Operating Temperature	-20°C~+60°C (Humidity : 10%~85% RH)

Color Dome Camera STC-300AHDIR Series.

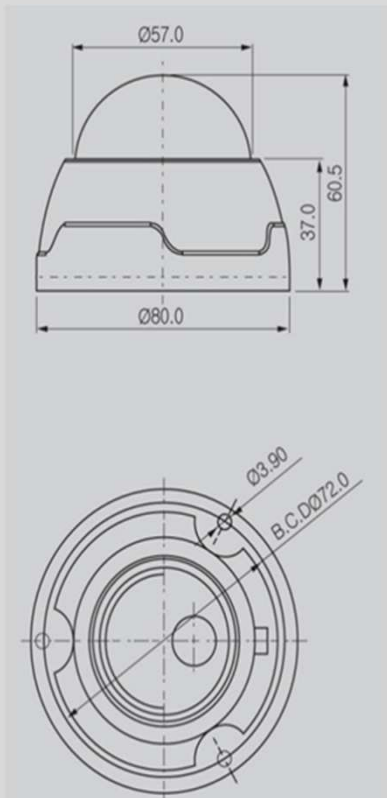
STC-301AHDIR



FEATURES

- 1.3MEGA PIXEL SONY CMOS sensor
- 2.9mm (120°) LENS
- Resolution 720P
- IR-LED 10 pcs
- WDR(Wide Dynamic Range)
- Option : MIC

DIMENSION (Unit:mm)



SPECIFICATION

ITEM	STC-301AHDIR
Image Sensor	1.3 Mega-Pixel Sony CMOS Sensor
Video Output	AHD 1.0 (720P@30 / 25fps)
Effective Pixels	1305(H) x 977(V)
TV System	NTSC / PAL
Sensitivity	0 lux
HD FORMAT	16:9 (AHD 720P)
LENS	F= 2.9mm (120°)
Power Source	DC 12V
Operating Temperature	-20°C~+60°C (Humidity : 10%~85% RH)